

DRAWING

GB386N5 ECO - GB370B5 ECO E3042L3 - B3042L3

For Gas Engine Genset



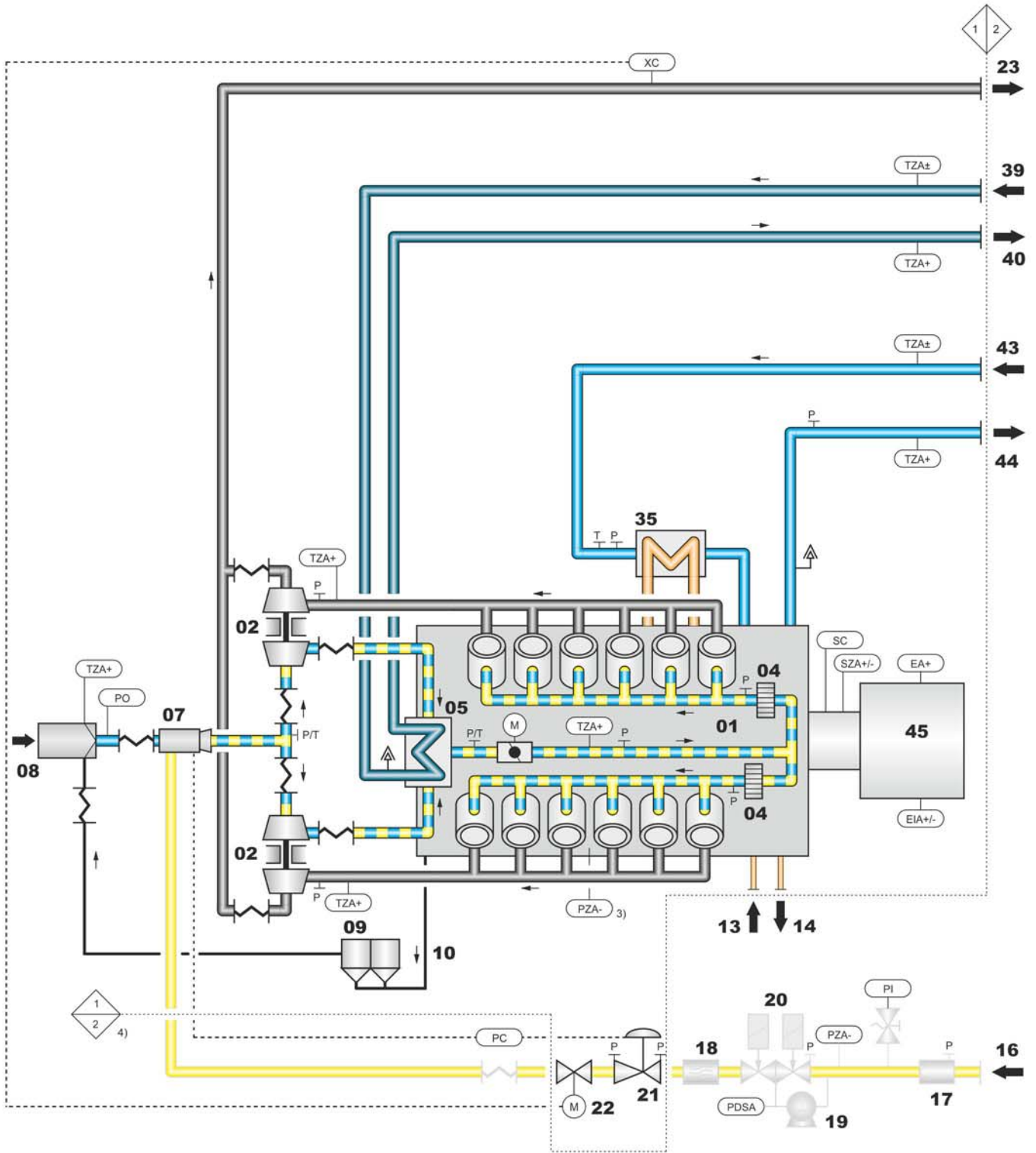
©2010 MTU Onsite Energy GmbH

Original document was created in German.

This publication including all its parts is protected by copyright. Each instance of use requires the prior written consent of MTU Onsite Energy GmbH. This applies in particular to duplication, dissemination, editing, translation, microfilming and storage and/or processing in electronic systems, including databases and online services.

Subject to technical alterations in the interest of further development.

Drawings



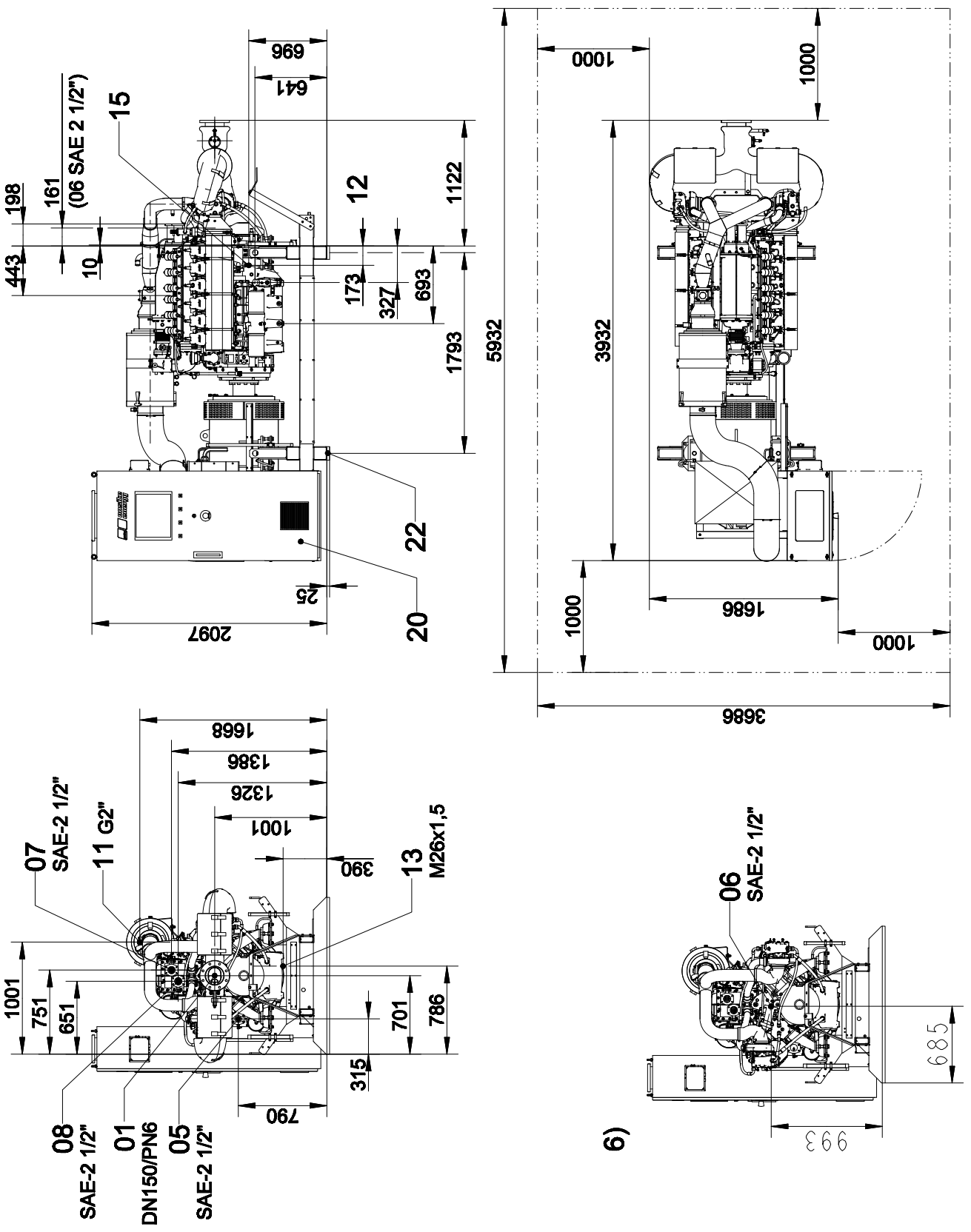
PZ-GB386N5 ECO / GB370B5 ECO - E/B3042L3

Item	Designation
01	Gas engine
02	Turbocharger
03	Watercooled exhaust pipe
04	Flame arrester filter
05	Mixture cooler
06	Two-stage mixture cooler
07	Gas-air mixer
08	Air filter
09	Oil separator
10	Crankcase ventilation
11	Level indicator (lube oil)
12	Solenoid valve (lube oil level)
13	Lube oil supply
14	Lube oil drainage
15	Injection line (option)
16	Gas inlet
17	Gas filter
18	Deflagration safety (only for bio / sewer and landfill gas)
19	Valve tightness check
20	Double solenoid valve
21	Zero pressure regulator
22	Lambda control valve
23	Exhaust gas outlet
24	Condensate outlet
25	Exhaust gas silencer
26	Exhaust butterfly valve (optional)
27	Exhaust heat exchanger
28	Catalytic converter (option)
29	Heating water inlet
30	Heating water outlet
31	Return flow temperature controller
32	Heating / coolant water pump
33	Safety valve
34	Plate-core heat exchanger
35	Oil cooler
36	Separate oil cooler

37	Cooling water pump
38	Expansion tank
39	Cold water inlet
40	Cold water outlet
41	Cold water inlet (2nd stage)
42	Cold water outlet (2nd stage)
43	Coolant inlet
44	Coolant outlet
45	Generator

- 1) Lube oil
- 2) 1 = MTU module/genset 2 = plant

Safety components are to be considered by the planner during the design, to meet the valid local standards and regulations.



PZ502005015 -

The following list contains all add-on components that could be mounted to motors, CHP modules and gensets.

Item	Designation
01	Exhaust gas outlet
02	Condensate discharge
03	Heating water inlet
04	Heating water outlet
05	Coolant inlet
06	Coolant outlet
07	Mixture coolant inlet (1st stage)
08	Mixture coolant outlet (1st stage)
09	Mixture coolant inlet (2nd stage)
10	Mixture coolant outlet (2nd stage)
11	Gas inlet
12	Lube oil supply
13	Lube oil discharge
14	Lube oil injection
15	Draining/filling (coolant side)
16	Safety valve
20	Module / genset control cabinet
21	EIP control cabinet
22	Rubber strip (option)
23	Machine shoe (option)
24	Fan (exhaust air)

- 5) Open area for assembly and maintenance work.
Each support must be designed for 2/3 of the weight of the module / genset.
- 6) Briefed without exhaust pipe.

MTU Onsite Energy GmbH
Postfach 10 21 30 • 86011 Augsburg
Dasinger Str. 11 • 86165 Augsburg
Tel.: +49 (0)821 / 7480-0
Fax: +49 (0)821 / 7480-119
Internet: <http://www.mtu-online.com>

Europe / Middle East / Africa / Latin America

MTU Friedrichshafen GmbH
88040 Friedrichshafen
Germany

Phone +49 7541 90 7001
Fax +49 7541 90 7081
regionalcenter1@mtu-online.com
www.mtu-online.com

Asia / Australia / Pacific

MTU Asia Pte. Ltd.
1, Benoi Place
Singapore 629923,
Republic of Singapore
Phone +65 6861 5922
Fax +65 6861 3615
regionalcenter2@mtu-online.com
www.mtu-online.com

USA / Canada / Mexico

MTU Detroit Diesel, Inc.
13400 Outer Drive West
Detroit, Michigan 48239,
USA
Phone +1 313 592 7000
Fax +1 313 592 7788
regionalcenter3@mtu-online.com
www.mtu-online.com